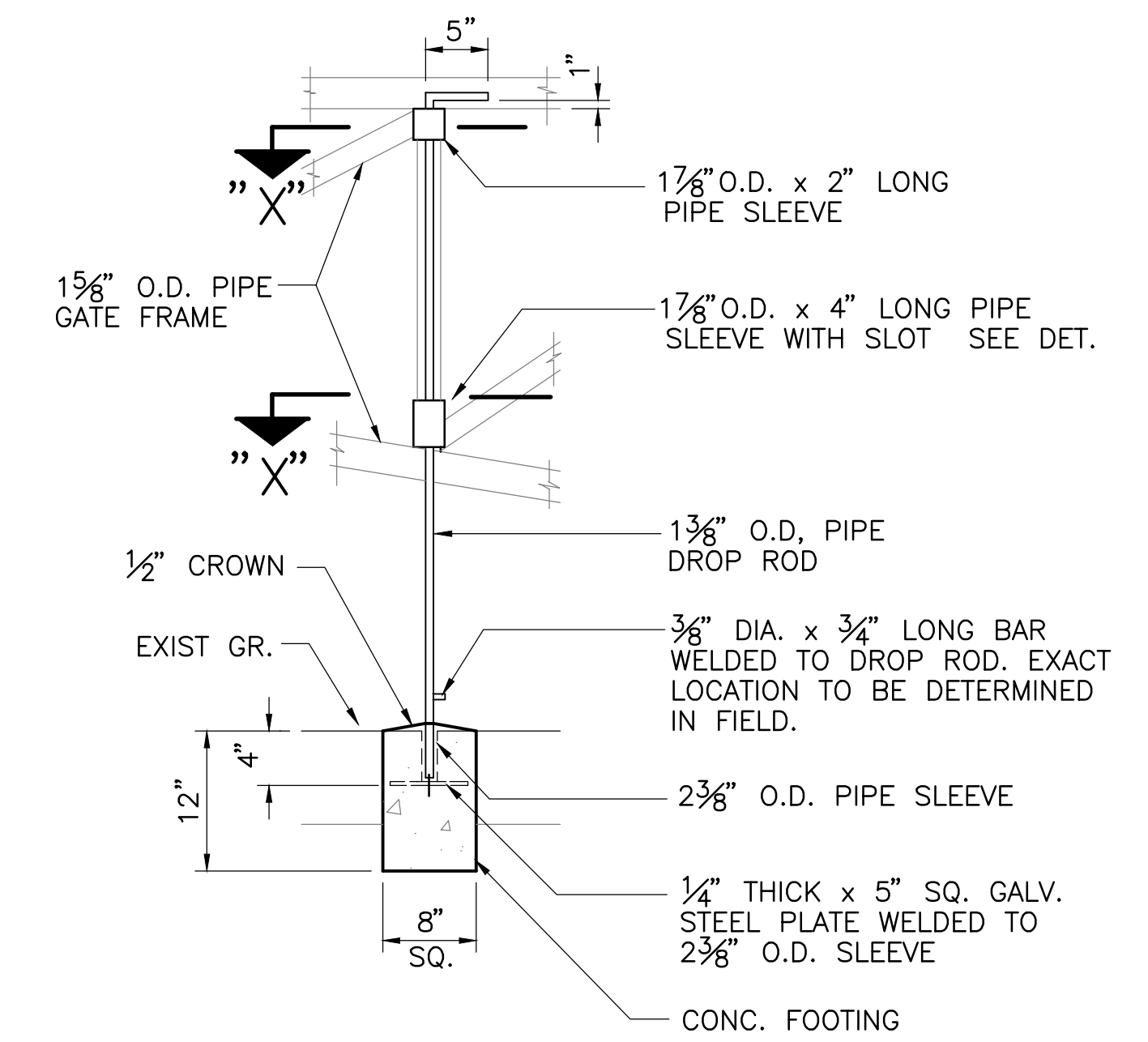
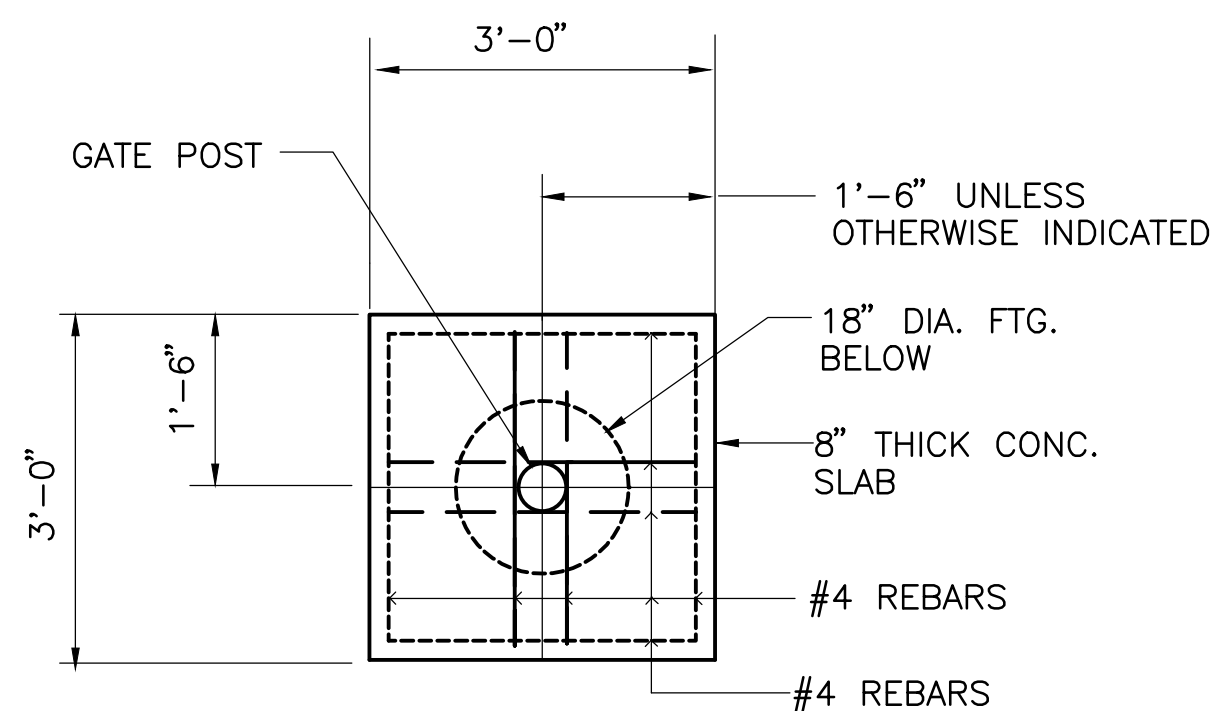


PIPE GATE DETAIL
NOT TO SCALE

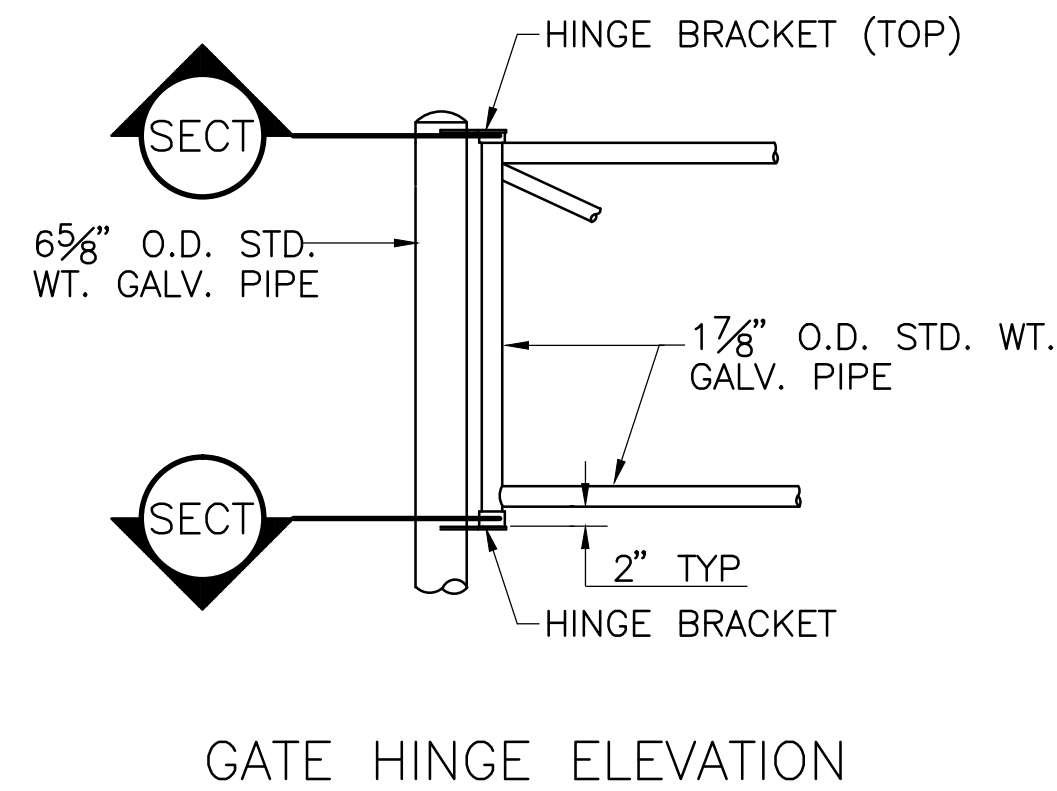
- NOTE:
1. ALL PIPES SHALL BE SCHED. 40, ASTM A120 GALVANIZED STEEL.
 2. WRAP REFLECTIVE TAPE AROUND ENTIRE PIPE GATE FRAMES (EXCEPT @ WELDED CONNECTIONS) & POSTS. ALTERNATE 12" BANDS OF RED & SILVER.
 3. PROVIDE 2 PADLOCKS FOR EACH GATE. PADLOCKS FOR ALL GATES SHALL BE KEYED ALIKE.
 4. ADJUST CLEAR DIMENSION TO MAKE BOTH FRAMES LEVEL w/ EACH OTHER & TO ALLOW GROUND CLEARANCES FOR GATE SWING.
 5. ALL SHOP & FIELD WELDS SHALL BE COATED w/ GALVALOY OR EQUAL.
 6. ALL EXPOSED METAL SURFACES SHALL BE PAINTED TO MATCH REFLECTIVE TAPE.
 7. CONTRACTOR SHALL SUBMIT SHOP DRAWINGS OF PIPE GATE AND ALL COMPONENTS FOR APPROVAL. CONTRACTOR SHALL FIELD-CONFIRM GATE AND BOLLARD LAYOUT WITH THE STATE PRIOR TO INSTALLATION.



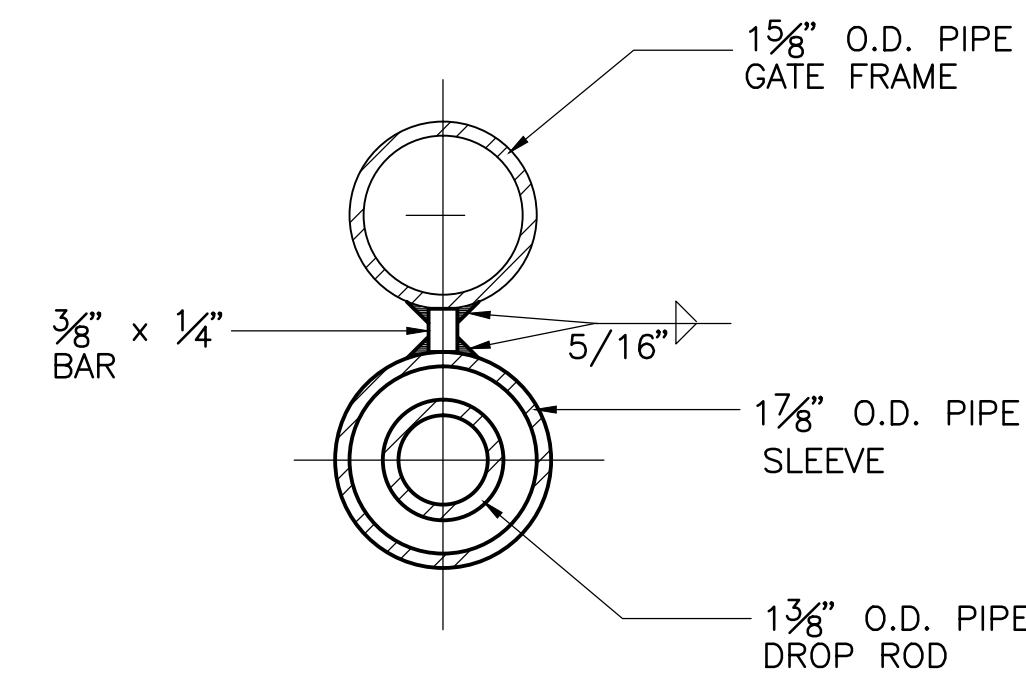
PIPE GATE - DROP ROD
NOT TO SCALE



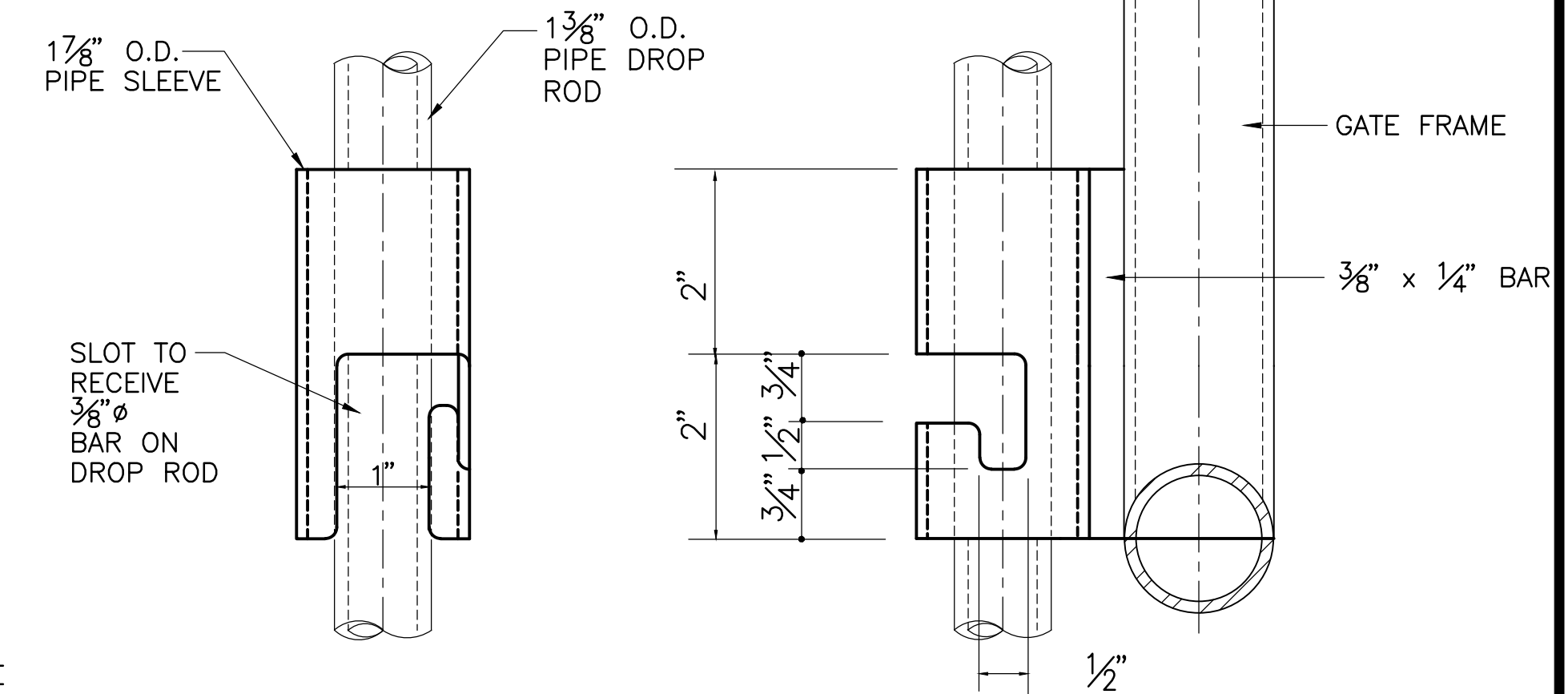
TYPICAL CONCRETE FOOTING
NOT TO SCALE



GATE HINGE ELEVATION



SECTION "X"

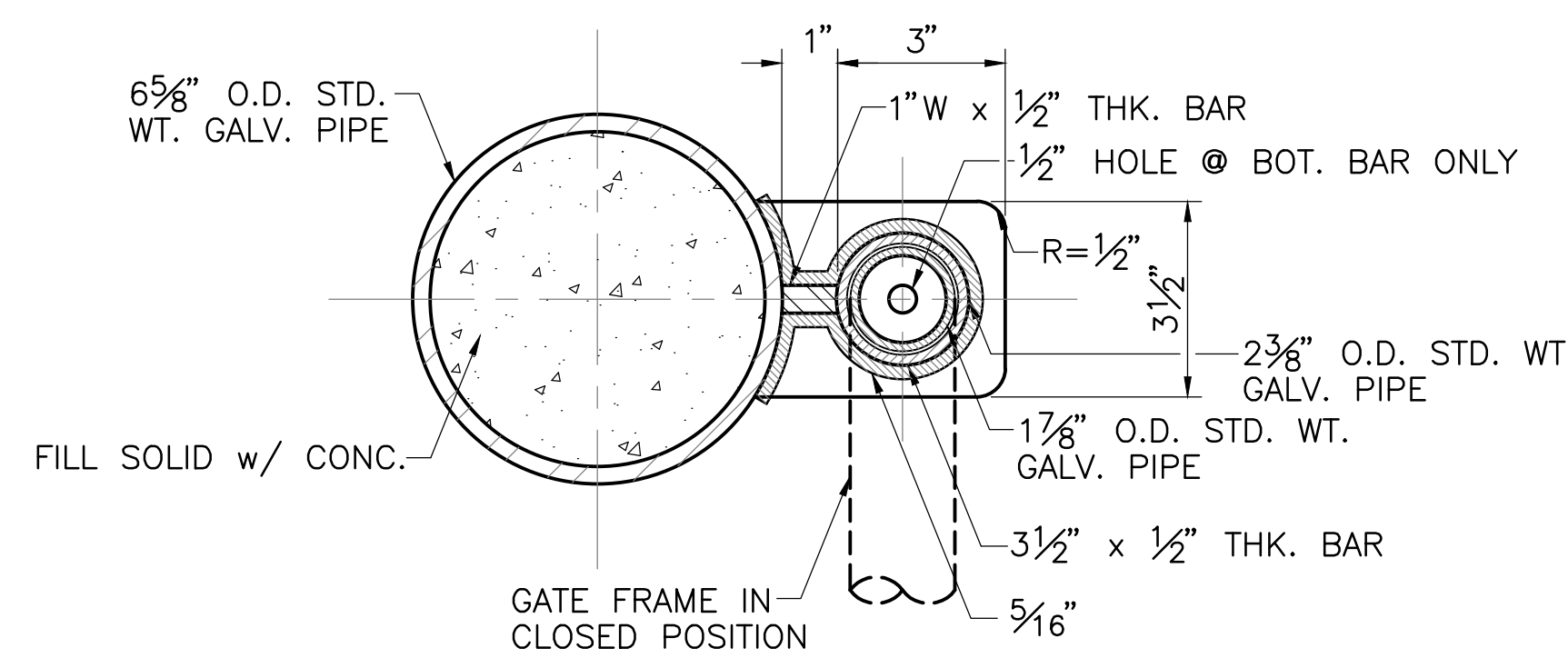


FRONT ELEVATION

SIDE ELEVATION

DROP ROD DETAILS
NOT TO SCALE

IF THIS SHEET IS LESS THAN 34"x22", IT IS A REDUCED PRINT. SCALE REDUCED ACCORDINGLY.



HINGE BRACKET SECTION

PIPE HINGE DETAIL
NOT TO SCALE

REVISION NO.	SYM.	DESCRIPTION	SHT. OF	DATE	APPROVED
1	△	ADDENDUM NO. 1 - NEW SHEET	2 OF 2	5/20/16	[Signature]

STATE OF HAWAII
DEPARTMENT OF LAND AND NATURAL RESOURCES
ENGINEERING DIVISION

**KEKAHA KAI STATE PARK
ACCESS ROAD IMPROVEMENTS**

PIPE GATE DETAILS

DESIGNED: MHD	SUBMITTED: -
DRAWN: MHD/SS	DATE: APRIL 2016
CHECKED: BKM	SCALE: AS NOTED
APPROVED: [Signature]	DRAWING NO. C-11

THE WORK WAS PREPARED BY ME OR UNDER MY SUPERVISION AND CONSTRUCTION OF THIS PROJECT WILL BE UNDER MY OBSERVATION.
Melanie H. Demello
Expiration Date of License 4/30/18

MAY 20 2016 DATE